

# cOS Fin-1 SFP+ based OLT



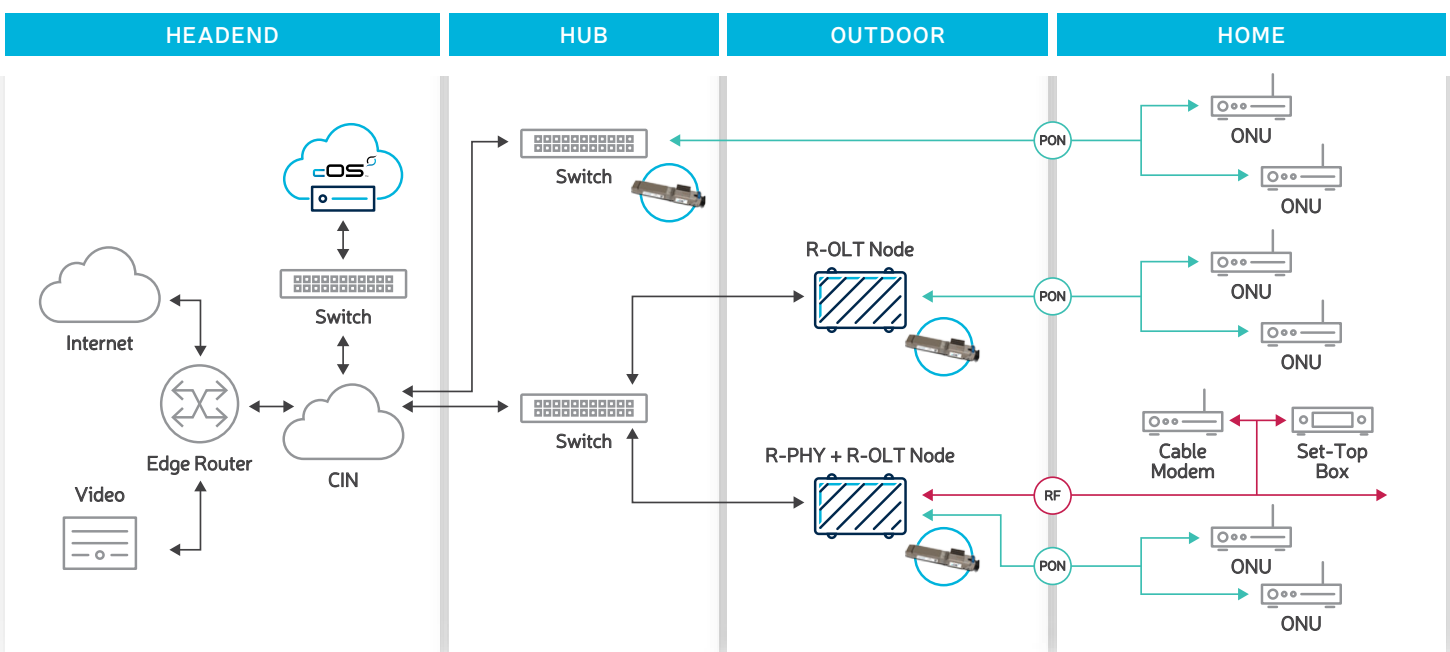
**The Harmonic cOS Fin-1 is a 10G/10G Optical Line Terminal (OLT) in an SFP+ compliant package supporting XGS-PON or 10G-EPON protocols from a node or switch.**

Driven by Harmonic's Cloud-Native virtual OLT controller, Fin-1 enables simple plug-and-play 10G PON capability from a Harmonic node or Ethernet switch by using two available models. The high optical power budget model (PR30) is dedicated for deployment within Ethernet switches in headends, hubs or MDU's basements. The industrial temperature model (PR10+) is designed for outdoor nodes supporting PR10+ optical power levels. Based on subscriber service provisioning, the Fin-1 provides 10G subscriber service to a wide-range of third-party ITU-T G.9807 or IEEE 802.3av 10G ONUs.

With Harmonic's cOS Cloud-Native PON and DOCSIS solution operators can deliver multigigabit and symmetric operation over mixed HFC and FTTH access networks. Harmonic's Pebble-1 Remote PHY Device (RPD) coupled with the Fin-1 Remote OLT (R-OLT) provides simultaneous services to subscribers connected to DOCSIS Cable Modems and PON Optical Network Units (ONU). Harmonic's hardened Ripple-1 strand mount and Shell-1 wall mount nodes provide a perfect home for extending access networks with 10G symmetric PON.

## APPLICATIONS

- OLT or R-OLT for 10G/10G PON from Central Office, Hub or Remote node
- High-bandwidth enterprise PON connectivity
- Residential, Enterprise and Wireless xHaul PON access
- Mixed HFC/FTTH access network



**For more information, please contact us:**

**NORMANN ENGINEERING GMBH**

[www.normann-engineering.com](http://www.normann-engineering.com)